

Specification For LED Panel light

PRODUCT NAME: 600*600*12mm Waterproof Panel light

PART NO.: SRPL60*60-40W

CE



** Table Of Content **

1.Features.....	2
2.Applications.....	2
3.Electrical/Optical Characteristics.....	3
4.Dimension.....	4
5.Installation Instruction.....	5
6.Package Drawing.....	6
7.Installation.....	7
8.Maintenance.....	7
9.Notes.....	8

Features

- ★ Using Hi-quality, Hi-brightness LED as lighting source, high efficiency and energy-saving, free from glare and flicker, and has average luminous surface.
- ★ Aluminum heat-sink base and No Glare
- ★ Long-lifespan on average over 50 thousand hours is more than 10 times of traditional lamps.
- ★ Adopting lampshade materials with more than 90% light transmittance, and aluminum alloy of high thermal conduction as lamp shell.
- ★ New high efficiency constant current driver.
- ★ Instant start, no flickering, no humming.
- ★ Special circuit design, four sides into the light, resorted to light more efficiently and evenly.
- ★ No electrical wave, conforming to CE.
- ★ Green environmental protection, lead-free material, conforming to ROHS.
- ★ No RF interference.
- ★ Decrease the maintenance fee, can be used for a long time without changing for new one.

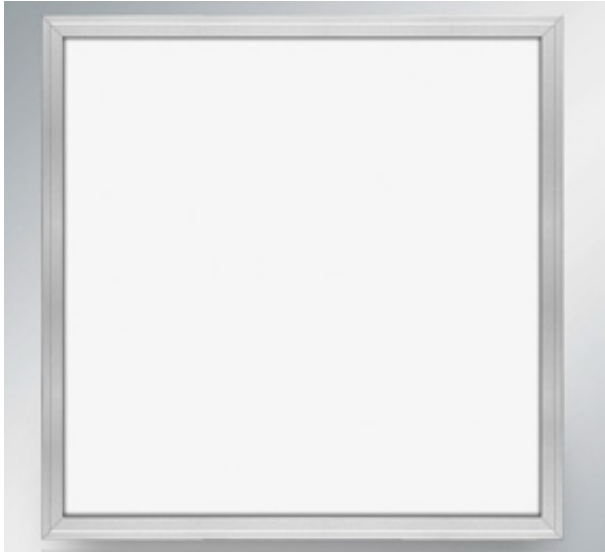
Applications:

- ★ Hotels
- ★ Factories&Offices
- ★ Commercial Purposes
- ★ Residential/Institution Buildings
- ★ Schools, Colleges&Universities
- ★ Hospitals
- ★ Othe Lighting

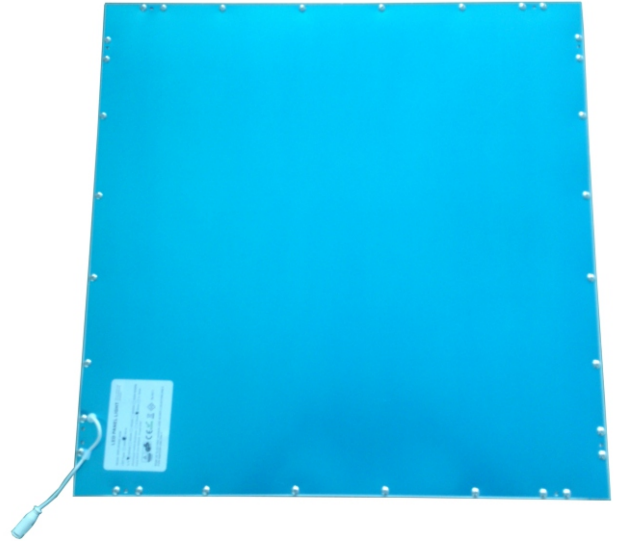
Electrical/Optical Characteristics

NUMBER	ITEM	DESCRIPTION
01	Input Voltage	AC200-240V
02	Operating Voltage	DC36V
03	Power Consumption	40W
04	Power Factor	0.90-0.95
05	LED Type	SMD 4014
06	LED Q'ty	180PCS*0.2W
07	Luminous Flux	3200-3400LM
09	CCT	2900-3100K/4000-4500K/5500-6000K
10	Beam Angle	120°
11	CRI	≧ 80 Ra
12	Life Time	≧ 49999H
13	Certifications	CE,ROHS
14	IP Code	IP65
15	luminaires Class	Class III
16	Fixing Ways	In-built,Mounting,Suspending
17	Operating Temperature	-20℃to+40℃
18	Storage Temperature	-30℃to+60℃
19	Humidity Operating	10-80%RH
20	Humidity Storage	10-90%RH

Photo

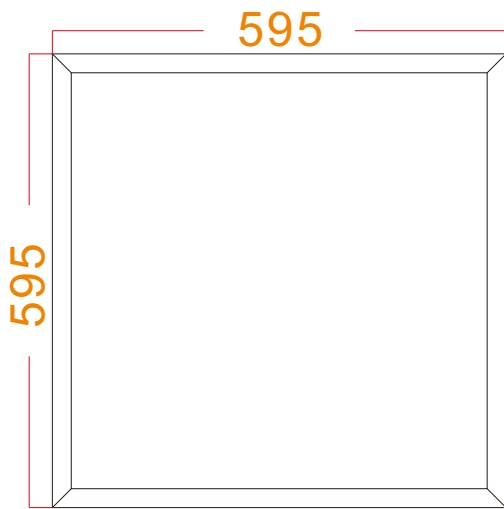


Front

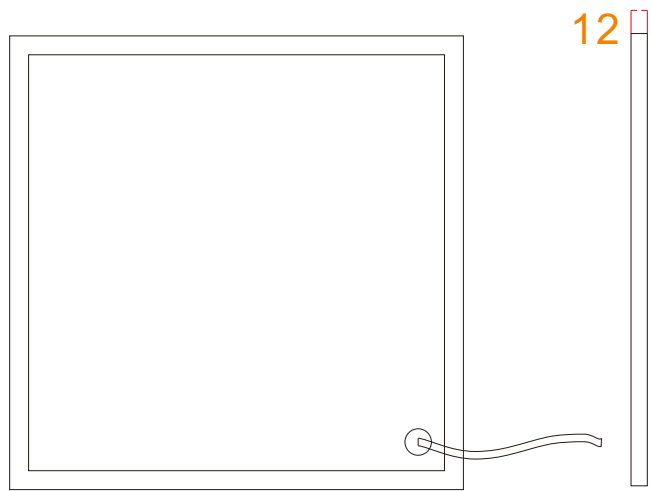


Back

Dimension(Unit:mm)



Front



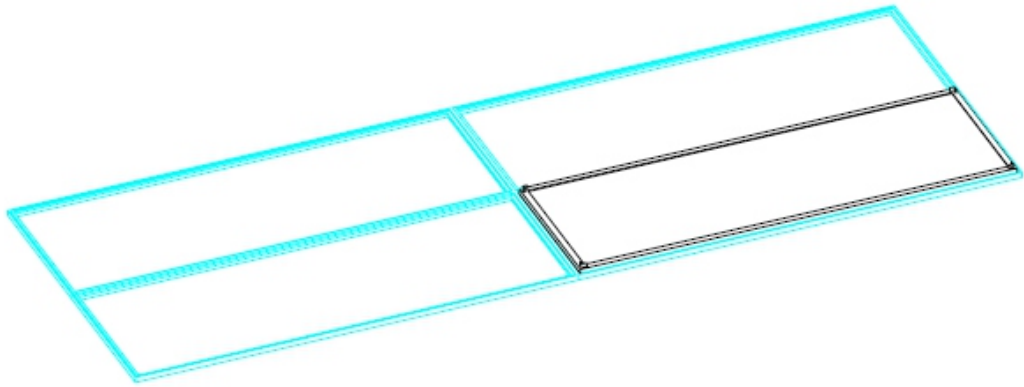
Back

Notes:

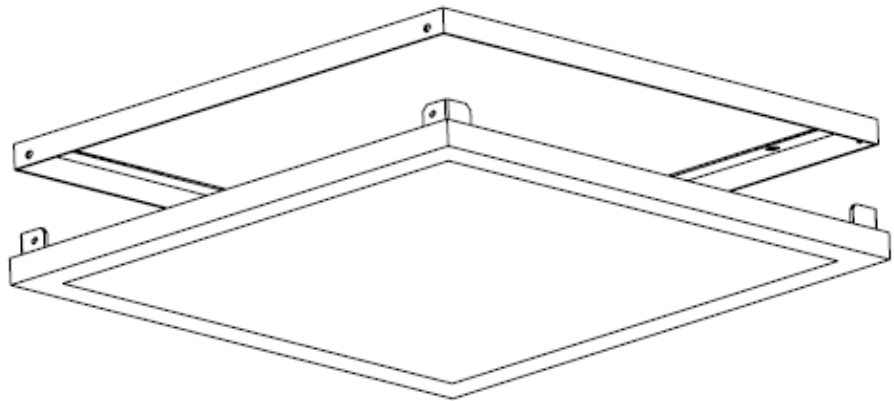
- 1.All dimension units are millimeters
- 2.All dimension tolerance is $\pm 0.5\text{mm}$ unless otherwise noted

Installation Instruction

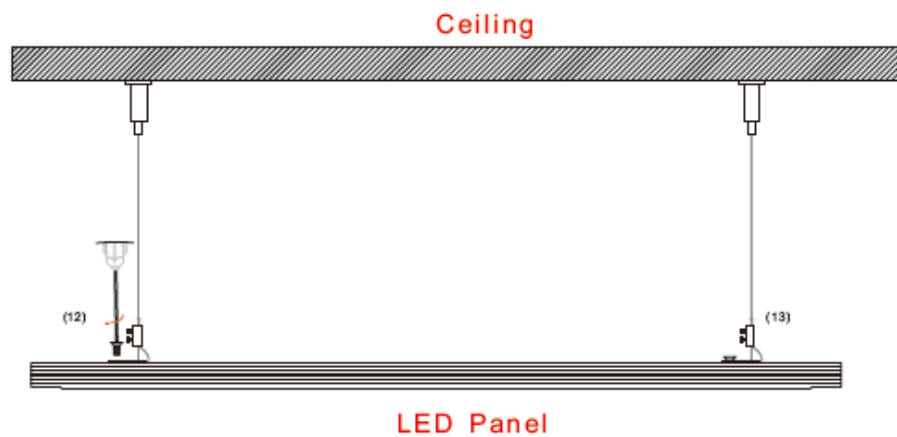
1. In-built



2. Mounting



3. Suspending



Packing Info



Inner Boxes package:

Quantity: 2 pcs/ box

NW:7.2kg

GW :7.8kg

Dimension: L690*W645*H52 mm

Package material: K 3 K corrugated paper

Outer carton package:

Quantity: 6 * 1 layer = 6 pcs/carton

NW: 21.6kg

GW: 25.3kg

Dimension: L670*W180*H695mm

Package material: K = K corrugated paper

Installation:

- 1.This product should be installed by trained electricians.
- 2.Check integrity of the products when unpack the packing.
- 3.The distance between the light and any flammable materials must not less than 0.2m.The distance between the upper part of the installed light and the ceiling must not be less than 2cm.The light must not be installed into ceilings or walls that contain heat-insulating material.The main cable must not connect with the low voltage cable or the surface-mounted lights.
- 4.Guide the lights'connecting cables through the drilled-out hole,and fix the surface-mounted lights with the pre-fitted clips.Make sure that these are securely connected to the base material.
- 5.when laying the cables,make sure that the cables and plugs are not subjected to any tensile or twisting forces.Fit the cable tension relieving mechanisms to the connection points of the surface-mounted lights.Do not kink cables.Output cables should be laid separately and at a distance from other cables.
- 6.After installation,connect the transformer to the mains supply.
- 7.Proceed by connecting the wiring cables to the luminaries.Usually,the brown wire is the live wire,connect it with the terminal marked"L".The blue wire is Neutral wire,connect it with the terminal marked"N".
- 8.Use only the LED driver included,and do not connect the surface-mounted lights to other loads.
- 9.Do not remove the name plate of the power supply and driver of the light.

Maintenance:

- 1.Prior to cleaning the light,make sure it has been disconnected from the power supply.
- 2.Use a dry or slightly moistened cloth for cleaning.
- 3.Never use any chemicals or abrasives for cleaning.

Notes:

1. Please always use the light out of its package.
2. Before starting use of the light, please check if the light was damaged during transportation. If any damage shown, please DO not install or use it.
3. Any maintenance should be performed by trained professionals only.
4. Keep packaging material away from the reach of children and pets. Risk of suffocation!
5. Caution. The packaging contains small parts that may be swallowed by children.
6. Never leave children unattended in the vicinity of the lights and do not allow them to play with electrical devices.
7. Try to avoid looking directly in the LED beam-especially for extended periods of time. Do not shine the LED light in another person's eyes.
8. Never cover the lights by other objects.
9. Never allow the light to come into contact with open flames or external heat sources.
10. The products need to re-repair inspection or special treatment of retirement after service time
11. Non-professionals are not allowed to disassemble and maintain the products. We have the right not to provide after-slae service if unauthorized disassembly and maintenance happens to the products.