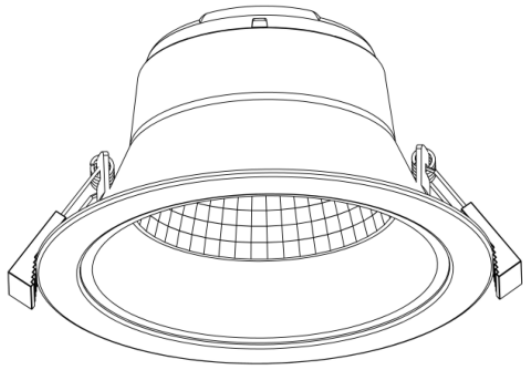


LED LEGEND DOWN LIGHT INSTRUCTION



CE RoHS

UGR<19

Description:

It adopts high brightness high quality LED as luminous body with low-voltage constant current driver, low power consumption, long lifespan, reliability and safety. The housing, which is elegant and stylish, is made of high-purity aluminum with spraying coating. Good thermal management ensures stable working of LED, and controls light attenuation effectively.

Perfect optical design ensures soft and even light. Instant lighting, no flickering, no glaring. Free of lead, mercury and other harmful substances. This product is widely used in shopping mall, hotel, restaurant and etc.

The color temperature could be preset in advance.

Notes

- ◆ Only qualified electrician is allowed to do the installation, maintenance and inspection for safety concern. It is dangerous for non-professional operator.
- ◆ Recessed installation only.
- ◆ Do not install the product in high temperature or humid place.
- ◆ 75mm space should be left around the product for ventilation, no cover on the light at any time.
- ◆ Storage conditions: room temperature, dry environment.

Installation:

Picture 1. Turn off the power.

Picture 2. Drill a suitable mounting hole on ceiling according to size requirement of different item.

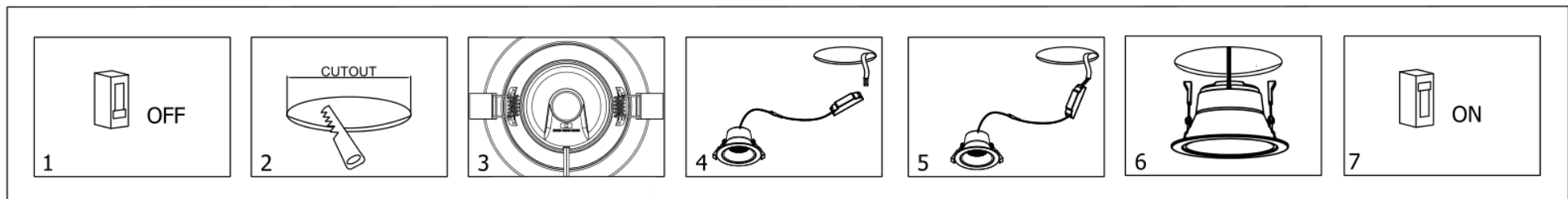
Picture 3. Use switch to select desired color temperature.

Picture 4. Connect input end of LED converter to commercial power(220-240V), and make sure connecting way is right.

Picture 5. Put LED driver at suitable place on ceiling.

Picture 6. Pinch both springs, then push light into installation hole, hangers rebound and chuck automatically. Make sure the light fixed well.

Picture 7. Double-check if everything is well-connected, then turn on the power.

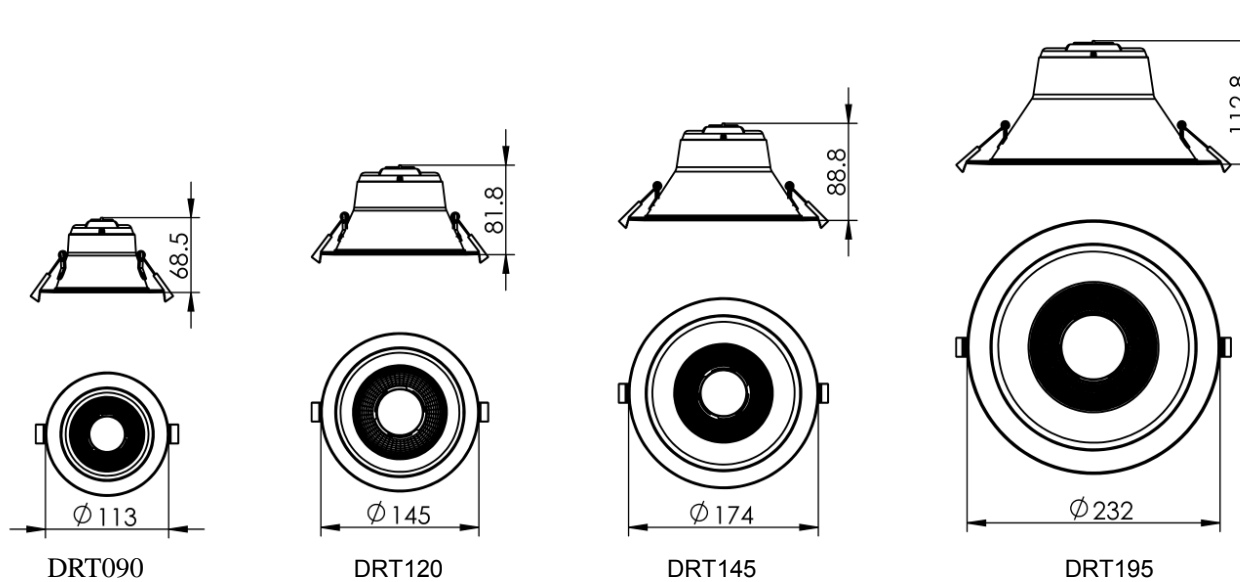


LED Down Light Series

Technical parameters:

				5
Input Voltage	220-240V AC			
Current	350 mA	700 mA	700 mA	700 mA
Power	10W	15W	15W	20W
Color Temperature	3000K (WW) /4000K (NW) /6000K (CW)			
Luminous Flux	800Lm/880 Lm /880 Lm	1200 Lm /1320 Lm /1320Lm	1200 Lm /1320 Lm /1320Lm	1636 Lm /1760 Lm /1760 Lm
Lifespan	50000H	50000H	50000H	50000H
Cutout	Φ90-102mm	Φ120-130mm	Φ145-155mm	Φ195-210mm
Working Temperature	-20~40°C			
CRI(Ra)	>80			

Dimension:



Warning



- * Power should be cut off before installation, maintenance or inspection.
- * Please install and use the light strictly according to the instruction.
- * Do not disassemble or remold the product at will to avoid accident of electric shock or light falling.
- * Working out of temp. range -20°C ~ +40°C will shorten the lifetime of luminaries