

【Key Features】

- PC housing
- PC diffuser
- Fast installation without clips
- LG 2835 LED
- OSRAM LED driver
- 120lm/W
- UV Resistance
- Quick-fix brackets supplied

【Application】

- Garages
- Factories
- Warehouse
- Process areas
- Wine Cellars
- Cheese dairies
- Car parking
- Textile processing plants
- Agricultural buildings
- Plant rooms
- Transport terminals
- Paper processing

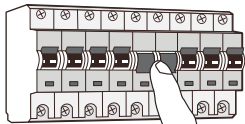


850°C

220-240V
50/60Hz



Model No.	SR05-15W-630	SR05-24W-630	SR05-20W-1230	SR05-36W-1230	SR05-30W-1530	SR05-50W-1530
Input Voltage(V)	220-240V	220-240V	220-240V	220-240V	220-240V	220-240V
Frequency(Hz)	50/60Hz	50/60Hz	50/60Hz	50/60Hz	50/60Hz	50/60Hz
Lumen (120lm/W)	1800lm	2880lm	2400lm	4320lm	3600lm	6000lm
System Power (W)	15W	24W	20W	36W	30W	50W
CCT (K)	2700-6500 K	2700-6500 K	2700-6500 K	2700-6500 K	2700-6500 K	2700-6500 K
CRI	>80	>80	>80	>80	>80	>80
Beam Angel(°)	120	120	120	120	120	120
IP Rate	IP65	IP65	IP65	IP65	IP65	IP65
LED type	SMD2835	SMD2835	SMD2835	SMD2835	SMD2835	SMD2835
Life time	50,000 hours	50,000 hours	50,000 hours	50,000 hours	50,000 hours	50,000 hours
Average ambient temp.	25°C	25°C	25°C	25°C	25°C	25°C
Operating temp range.	-25°C+35°C	-25°C+35°C	-25°C+35°C	-25°C+35°C	-25°C+35°C	-25°C+35°C
Operating Humidity(°C)	10%-90%	10%-90%	10%-90%	10%-90%	10%-90%	10%-90%
Product Size(mm)	600x70x68mm	600x70x68mm	1200x70x68mm	1200x70x68mm	1500x70x68mm	1500x70x68mm
Inner box Size(mm)	630x77x77mm	630x77x77mm	1230x77x77mm	1230x77x77mm	1530x77x77mm	1530x77x77mm
Carton Size(mm)	645x325x250mm	645x325x250mm	1245x250x250mm	1245x250x250mm	1545x250x250mm	1545x250x250mm
Qty/CTN(pcs)	12	12	9	9	9	9



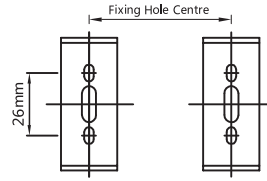
OFF

A Turn off the power.

B

① Drill \varnothing 6mm holes according to below drawing.

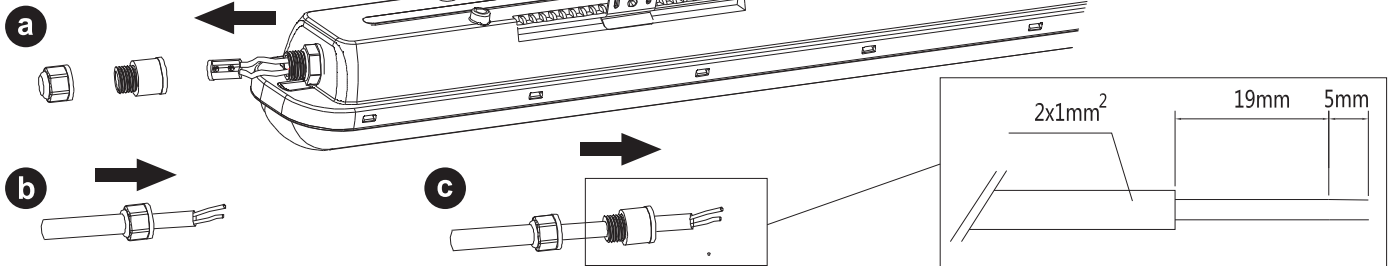
Model	Power	Fixing Hole Centre
SR05-15W-630	15W	300mm
SR05-24W-630	24W	300mm
SR05-20W-1230	20W	800mm
SR05-36W-1230	36W	800mm
SR05-30W-1530	30W	1010mm
SR05-50W-1530	50W	1010mm



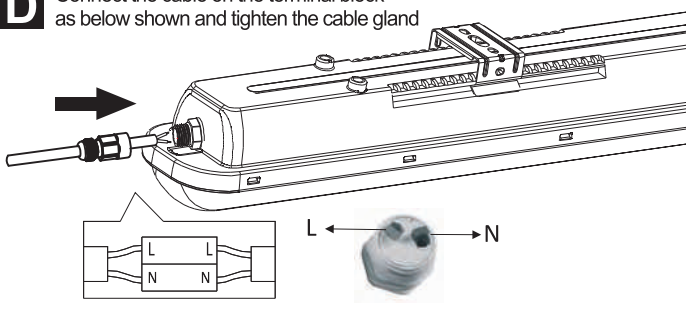
② Insert \varnothing 6mm expansion pipe in the wall, fix the mounting bracket by M4 screw.



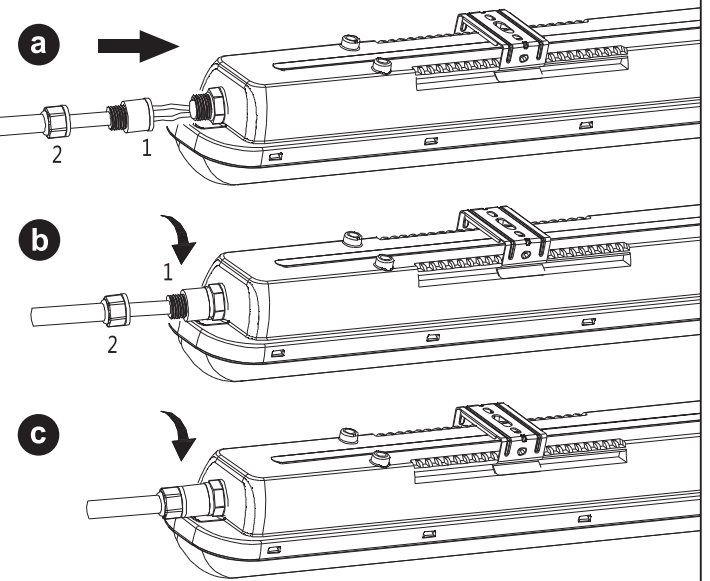
C Loosen the nut of the cable gland, put the cable through the cable gland.



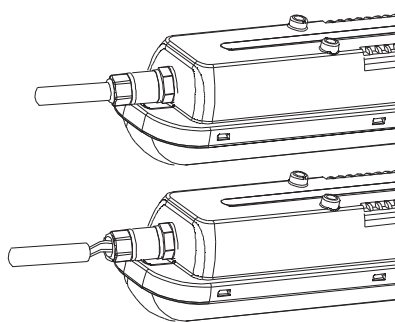
D Connect the cable on the terminal block as below shown and tighten the cable gland



E Tighten the connector under instruction in turn



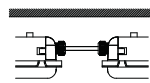
F Close the diffuser



F Fix the lamp on the wall

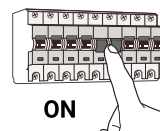


ATTENTION : It can be connected.



Model	Connection Qty Max(pcs)	
	1.5mm² cable	2.5mm² cable
SR05-15W-630	60	100
SR05-24W-630	48	80
SR05-20W-1230	48	80
SR05-36W-1230	33	60
SR05-30W-1530	40	66
SR05-50W-1530	22	38

G Turn on the power.



Safety Notice:
 1. Electrical installation should be done by registered electrician only
 2. Disconnect the luminaire from supply and wait until luminaire is cooled down, before replacement of the driver
 3. Never touch the lamp while luminaire is switched on
 4. In any case of malfunction disconnect luminaire from supply immediately, don't try to repair the luminaire yourself, repair should only be done by official service agent.

Contact pers
MOB: 86-137
TEL: 86-796-

m